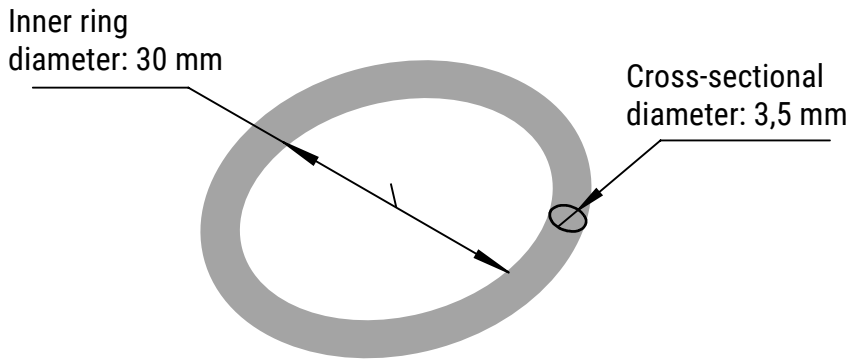


DATASHEET

PRODUCT 1111.06

RUBBER SEAL FOR PROPER 2L METAL FUEL CAN



Flexible and shape-retaining, maintaining a tight seal during repeated use

Resistant to fuels

Easy to install and replace

Suitable for use across a wide temperature range

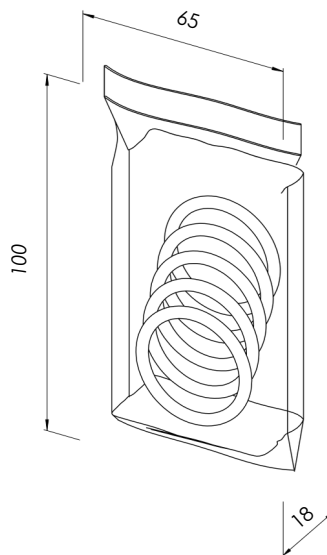
Ensures an airtight connection, preventing fuel and vapor leakage

High-quality nitrile butadiene rubber (NBR 70) in black color

Net: 0,0013 kg

HS CODE: 40169300

PACKAGING	UNIT
Units per package	5
Depth, mm	65
Width, mm	100
Height, mm	18
Net, kg	0,0065
Gross, kg	0,0075



- **Compatible with** Screw cap line 2L metal fuel can with product No.: 1111.00
- VALPRO product performance is guaranteed only when original VALPRO accessories and spare parts are used

